

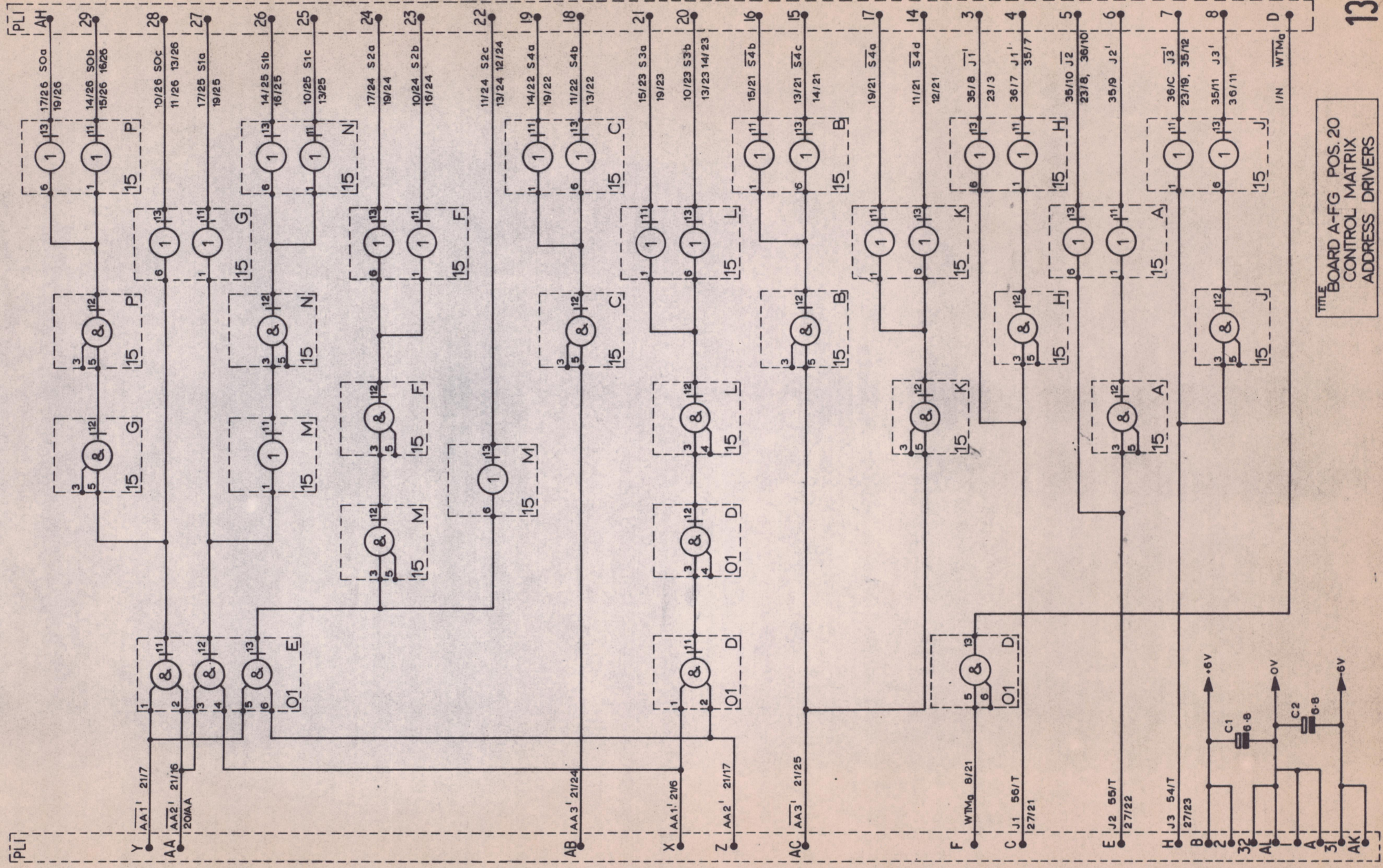
322C5211

THIRD ANGLE PROJECTION

DIMENSIONS IN INCHES UNLESS OTHERWISE STATED

DO NOT SCALE DRAWING

USED ON
C.4024



TITLE
BOARD A-FG POS. 20
CONTROL MATRIX
ADDRESS DRIVERS

13

LATEST MI INCORPORATED: MI 2074 2998

ISSUE No.	1
ALTERATION No.	1740
DATE	4.7.66
INITIALS	D. K.
PARTS LIST No.	
DRAWN	D & D
CHECKED	CS 513
APPROVED	[Signature]
DATE	7-11-66

MATERIAL

FINISH

ELLIOTT BROTHERS (LONDON) LTD

© Elliott Brothers (London) Limited
THIS DRAWING IS THE PROPERTY OF
ELLIOTT BROTHERS (LONDON) LIMITED
AND MAY NOT BE COPIED, REPRODUCED
OR DISCLOSED FOR ANY PURPOSE EXCEPT
AS AUTHORIZED IN WRITING BY ELLIOTT
BROTHERS (LONDON) LIMITED

TOLERANCES
LINEAR
UNMACHINED SURFACES ±
MACHINED SURFACES ±
ANGULAR DIMENSIONS ±
UNLESS OTHERWISE STATED

TITLE
BOARD A-FG POS. 20
CONTROL MATRIX
ADDRESS DRIVERS

SCALE
DRAWING No.
322C5211